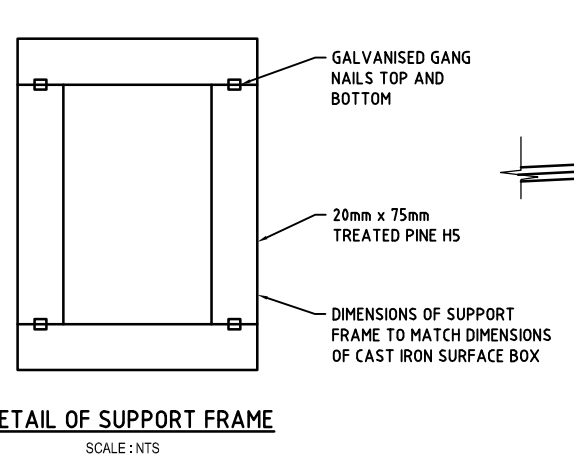
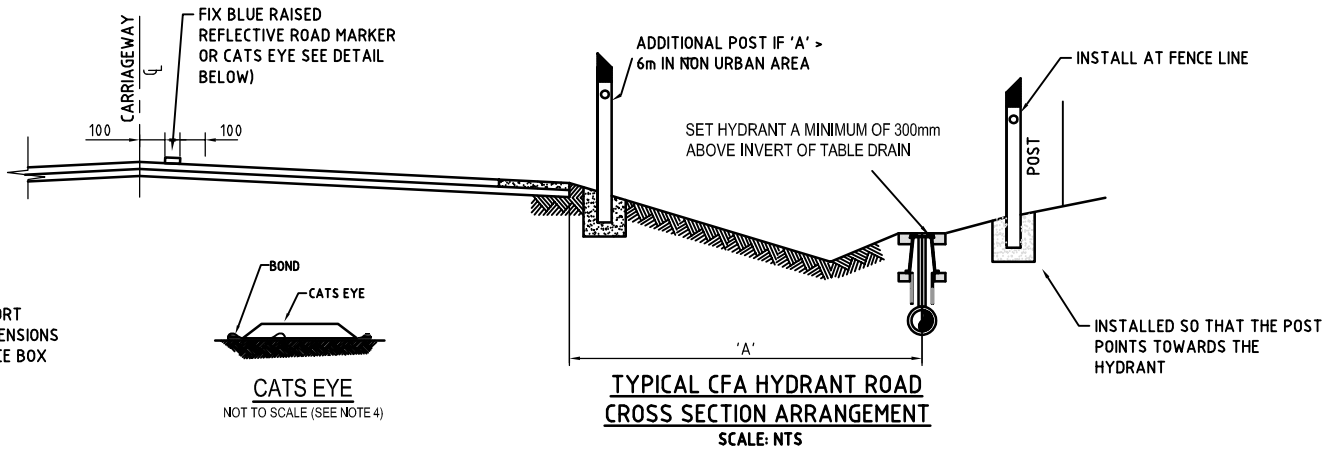


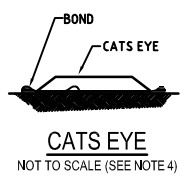
**PLAN VIEW COVER ASSEMBLY**  
SCALE: NTS



**DETAIL OF SUPPORT FRAME**  
SCALE: NTS



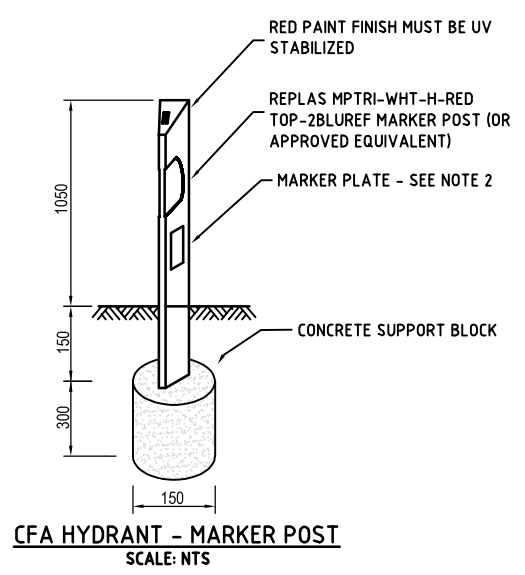
**TYPICAL CFA HYDRANT ROAD CROSS SECTION ARRANGEMENT**  
SCALE: NTS



**CATS EYE**  
NOT TO SCALE (SEE NOTE 4)

**CFA HYDRANT-MARKER POST AND PAVEMENT MARKER NOTES:**

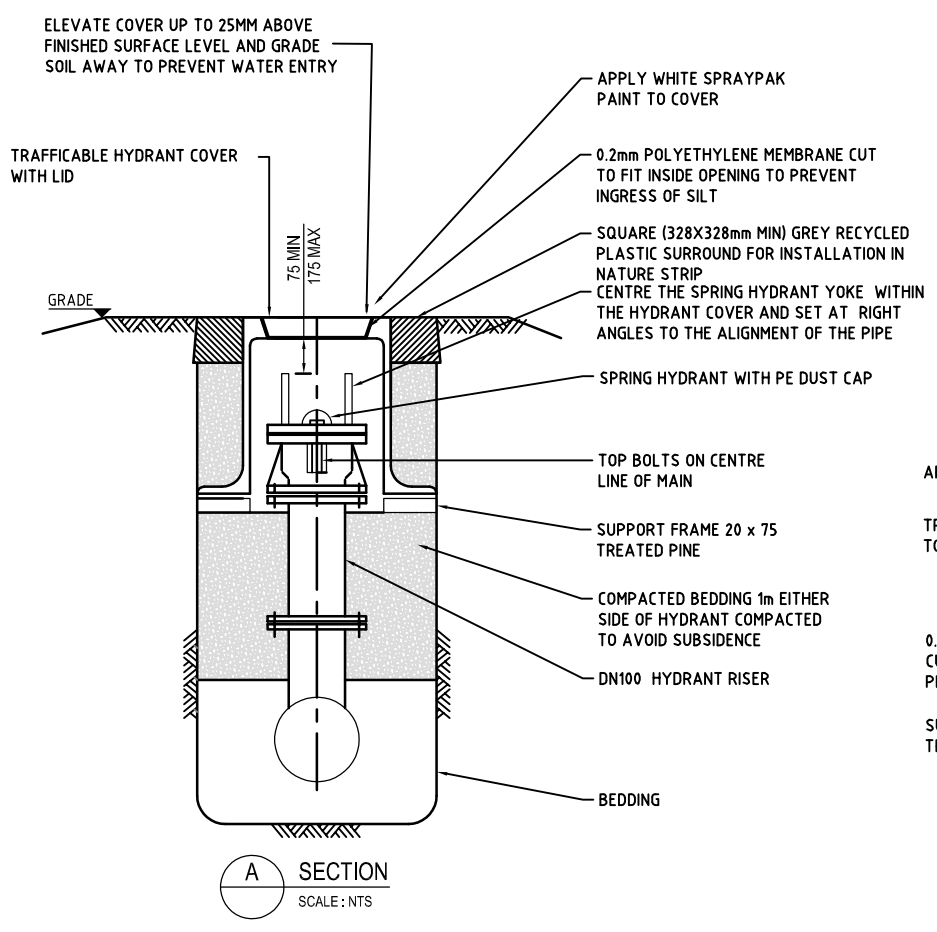
1. THE USE OF DURAPOST 1500mm STEEL FP POSTS FSM2254 OR APPROVED EQUIVALENT IS AN OPTION IN NON URBAN AREAS AND IS REQUIRED IN BUSH FIRE PRONE AREAS.
2. IF POST IS >1m FROM HYDRANT, SECURELY ATTACH TO THE POST, A BLANK ALUMINIUM MARKER PLATE WITH OFFSET ENGRAVED OR PUNCHED IN. FOR STEEL POSTS USE 4 ALUMINIUM RIVETS. FOR PLASTIC POSTS USE 4 STAINLESS STEEL SCREWS AND GLUE
3. ATTACH REFLECTORS THAT COMPLY WITH AS 1906.2-2007 - RETROREFLECTIVE MATERIALS FOR ROAD TRAFFIC CONTROL PURPOSES - RETROREFLECTIVE DEVICES (NON-PAVEMENT APPLICATION).
4. AFFIX BLUE RAISED REFLECTIVE PAVEMENT MARKER (CATS EYE) OPPOSITE FIRE PLUG IN THE CARRIAGEWAY. USE MARKERS THAT COMPLY WITH AS 1906.3-1992 - RETROREFLECTIVE MATERIALS AND DEVICES FOR ROAD TRAFFIC CONTROL PURPOSES - RAISED PAVEMENT MARKERS (RETROREFLECTIVE AND NON-RETROREFLECTIVE). ATTACH TO GROUND USING HOTMELT MARKER ADHESIVE (BITUMINOUS) OR SELLEYS TWO PACK EPOXY ADHESIVE. APPLY AS PER MANUFACTURERS INSTRUCTIONS. ROUGHEN SURFACE WITH COLD CHISEL AND USE WIRE BRUSH TO THOROUGHLY CLEAN SURFACE BEFORE APPLICATION.
5. ANY HYDRANT NOT INTENDED TO SERVE AS A CFA HYDRANT MUST BE MARKED SCV AS PER DRG. WW-20M-004 AND NOT HAVE A FIREPLUG MARKER POST OR PAVEMENT MARKER.



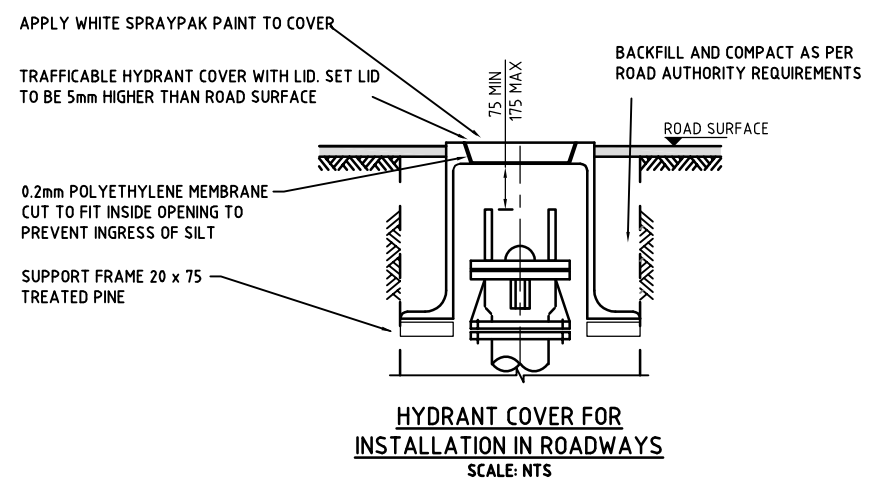
**CFA HYDRANT - MARKER POST**  
SCALE: NTS

**HYDRANT NOTES:**

6. INSTALL HYDRANTS AS A DIRECT ASSEMBLY WHERE POSSIBLE.
7. FLANGED FITTINGS MUST BE USED FOR OFFSET HYDRANTS INSTALLED ON ALL MAINS.
8. HYDRANTS TO BE LOCATED ALONG ALIGNMENT OF PIPELINE WITH AT LEAST 1m CLEARANCE FROM ANY DRIVEWAY, ROADWAY, CAR PARKING SPACE, FOOTPATH CROSSED OR TABLE DRAIN INVERT.
9. ALL FLANGED JOINTS TO BE PROTECTED WITH DENSO JOINT FILLER AND WRAPPED WITH DENSO TAPE.
10. ENSURE RISER IS VERTICAL.
11. INSTALL COVER, FRAME SPINDLE SLEEVE, SHROUD AND SHROUD SUPPORT SO THAT LOADING IS TRANSMITTED TO THE VALVE OR PIPE
12. PLASTIC VALVE COVER SURROUNDS WITH AN INTEGRATED DUCTILE DROP IN LID KEY ARE NOT PERMITTED FOR USE IN ANY CIRCUMSTANCE.
13. OFFSET HYDRANTS ARE NOT TO BE USED WITHOUT APPROVAL OF A DETAILED DESIGN DRAWING BY WANNON WATER.
14. FITTINGS AND PRODUCTS MUST BE APPROVED FOR USE BY WANNON WATER. REFER TO THE LIST AT <http://mrwa.com.au/Pages/Products.aspx>.



**SECTION A**  
SCALE: NTS  
**HYDRANT DIRECT ASSEMBLY - NATURE STRIP**



**HYDRANT COVER FOR INSTALLATION IN ROADWAYS**  
SCALE: NTS

REV	CHANGES MADE	DRAWN	CHECKED	APPROVED	DATE
2	NOTE 4 & 13 AMENDED; OFFSET ASSEMBLY DELETED	L.R.	T.H.	P.W.	14/11/2019
1	VERSION 1	R.F.	T.H.	P.W.	1/07/2013

THIS DRAWING SUPERCEDES WW-10-501

Wannon Region Water Corporation  
PO Box 1158, Warrnambool VIC 3280  
Ph. 1300 926 666  
Info@Wannonwater.com.au  
www.wannonwater.com.au

WANNON WATER PROJECT NUMBER:	DRAWN L.RALPH	CHECKED P.WILSON
TOWN:	DESIGNED K. WATSON	CHECKED T. HARROLD
COORDINATES N: E:	APPROVED P. WILSON	
PROJECTION: MAP GRID OF AUSTRALIA: ZONE 54	DATE 14/11/2019	
NOT FOR CONSTRUCTION UNLESS SIGNED AS APPROVED		

SCALE (AT ORIGINAL PAPER SIZE):	NOT TO SCALE
PROJECT:	STANDARD DRAWING
TITLE:	INSTALLATION OF HYDRANTS
Original Size	A3
SHEET No:	1
No. OF SHEETS:	1

WANNON WATER  
DRAWING SET No:  
WW-2019-005