

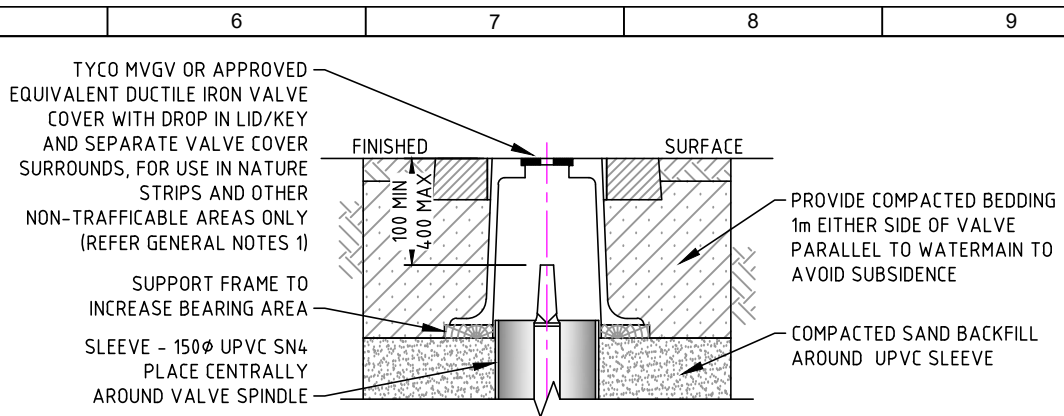
SECTION A-A SPINDLE PROTECTION FOR SLUICE VALVES IN ROAD

NOT TO SCALE

VALVE PURPOSE	COLOUR	
CONTROL VALVE - NORMALLY OPEN	UNPAINTED OR WHITE	○
INTERCONNECTION VALVE (HIGH/LOW LEVEL) - NORMALLY CLOSED	YELLOW	●
RECYCLED WATER VALVE	LILAC	●
FIRE PLUG	WHITE - RED CENTRE	⊙
BOOSTED SYSTEM - CLOSED	BLUE	●
DIALYSIS	ORANGE	●
SCOUR VALVE - NORMALLY CLOSED	RED	●
INTERCONNECTION VALVE (WATER TOWER) - NORMALLY CLOSED	GREEN	●
CLOCKWISE CLOSING VALVE (OPPOSITE TO NORMAL)	PINK	●

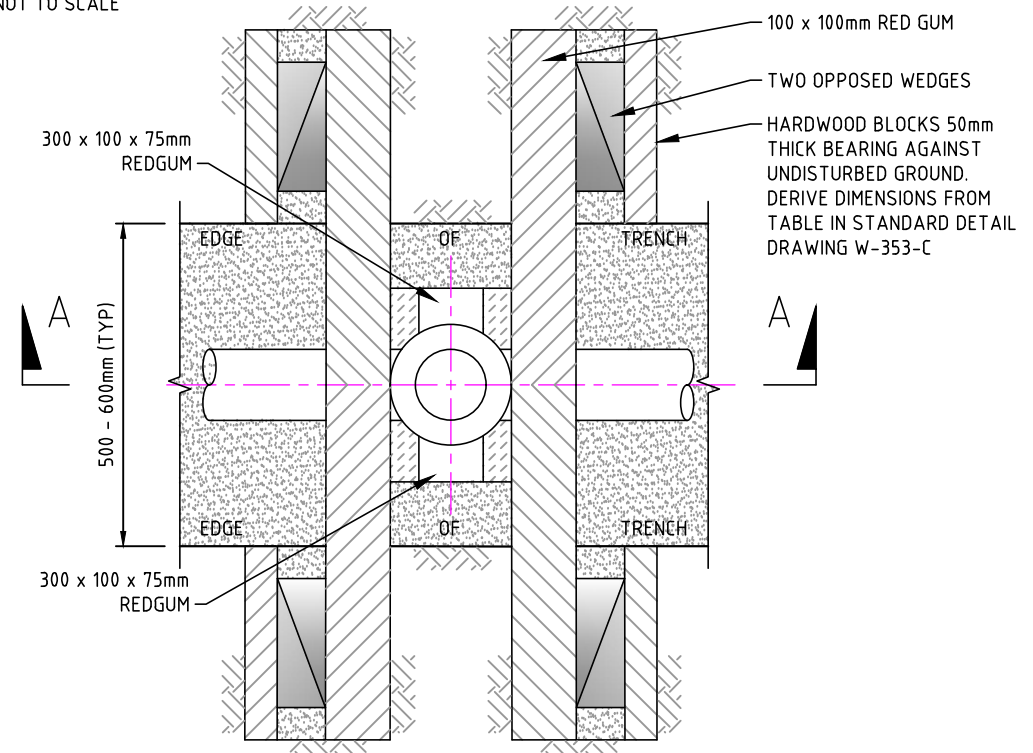
STANDARD VALVE COVER COLOURS (APPLICABLE 2013 ONWARDS)

COVERS TO BE PAINTED BY WANNON WATER STAFF ONLY UPON COMPLETION OF WORKS



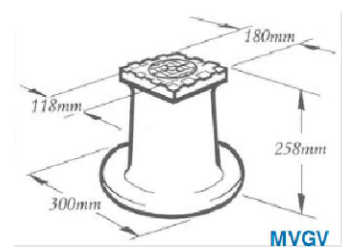
PART SECTION A-A SPINDLE PROTECTION FOR SLUICE VALVES IN NATURE STRIP

NOT TO SCALE



TYPICAL TOMMING PLAN VIEW

NOT TO SCALE



TYPICAL COVER DIMENSIONS

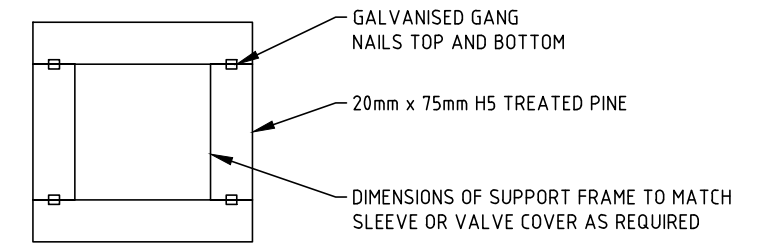
NOT TO SCALE

GENERAL NOTES

- USE DUCTILE/CAST IRON VALVE COVERS IN ALL SITUATIONS. PLASTIC VALVE COVER SURROUNDS WITH AN INTEGRATED DUCTILE DROP IN LID KEY ARE NOT PERMITTED FOR USE IN ANY CIRCUMSTANCE.
- SOLID BAR EXTENSION SPINDLE OF SUITABLE LENGTH IS TO BE FITTED. WHERE MULTIPLE EXTENSION SPINDLES ARE REQUIRED, THE MINIMUM POSSIBLE NUMBER MUST BE USED.
- REFILL MATERIAL MUST BE COMPACTED TO ENSURE NO SUBSIDENCE OF VALVE COVER.
- WATERMAIN DEPTH MAY REQUIRE DEEPENING FOR THE INSTALLATION OF VALVES.
- THE CONTRACTOR MAY RE-USE VALVE COVERS IF PROVEN TO BE IN GOOD CONDITION.
- WHERE VALVE IS INSTALLED IN FOOTPATH ENSURE IT IS FLUSH WITH FINISHED SURFACE SO IT DOES NOT CREATE A TRIP HAZARD.
- ALL FLANGED JOINTS TO BE PROTECTED WITH DENSO JOINT FILLER AND WRAPPED WITH DENSO TAPE.

TOMMING NOTES

- TOMMING OF VALVES IS NOT REQUIRED FOR PIPES DN225 OR LESS WITH A DESIGN HEAD OF 50 METRES OR LESS UNLESS SOIL BEARING CAPACITY IS POOR (<50kPa)
- TOMMING OF VALVES IS NOT REQUIRED WHERE VALVE IS DIRECTLY FLANGE-CONNECTED TO A TEE.
- WHERE TOMMING IS REQUIRED, WEDGES TO BE HELD FAST WITH NAILS OR SCREWS TO PREVENT DISLODEMENT.



PVC SLEEVE & DI VALVE COVER SUPPORT FRAME

NOT TO SCALE

No.	Revision	Drawn	Checked	Approved	Date
3	DRAWING UPDATED	A.S.			13.09.17
2	DRAWING NOTES UPDATED	K.W.			9.04.14
1	DRAWING UPDATED	K.W.			23.03.12
0	ISSUED FOR CONSTRUCTION	A.R.M.			16.05.01



Wannon Region Water Corporation
 PO Box 1158, Warrnambool VIC 3280
 Ph. 1300 926 666
 Fax. (03) 5564 7650
 Email@Wannonwater.com.au
 www.wannonwater.com.au

Wannon Water

**STANDARD DRAWING
 SLUICE VALVE INSTALLATION**

Title : _____

Original Size: A3 NOT TO SCALE Sheet No: 1
 No. of Sheets: 1

Drawing Set No: W-354-C