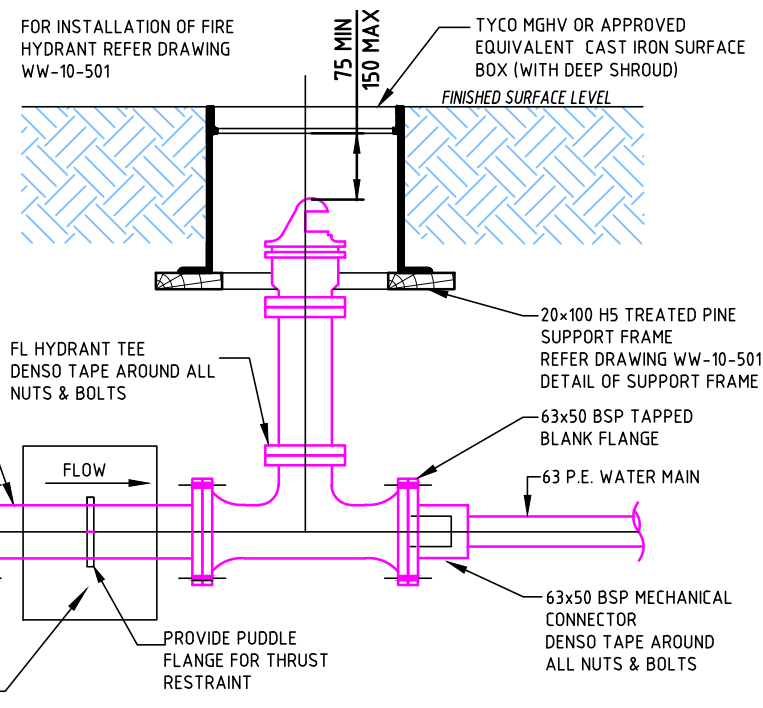


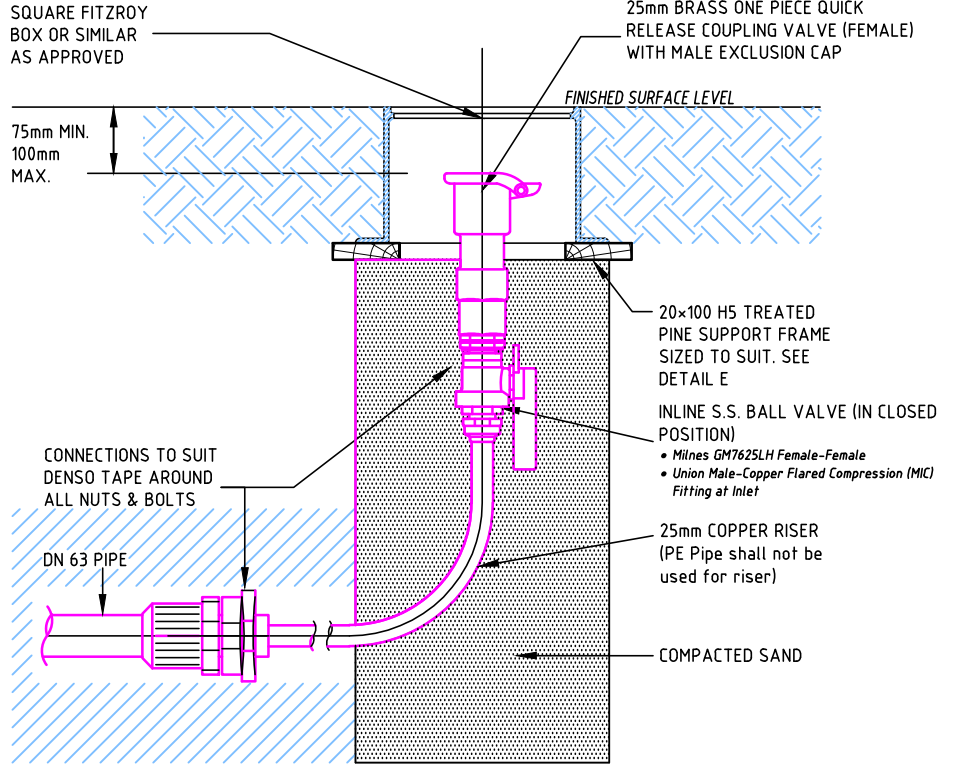
A
B
C
D
E
F
G
H



DETAIL B CONNECTION DETAILS

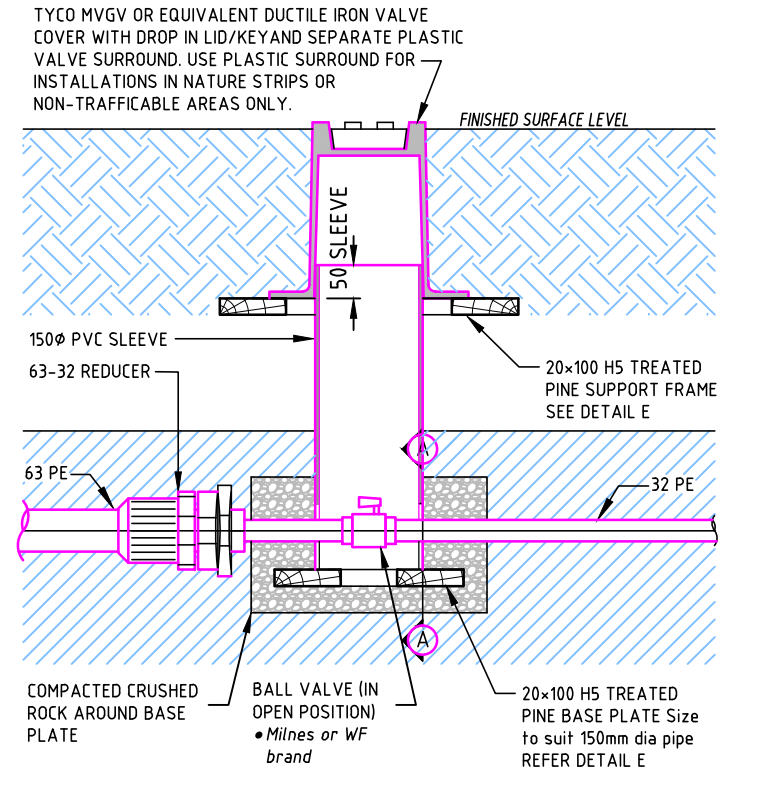
NOT TO SCALE
ALTERNATIVE CONSTRUCTION

- Refer to WSA 03-2002 Drawing WAT-1121-M Detail C for an alternative construction method.
- All fittings may not be readily available and may require special order - check with supplier on availability of fittings prior to commencing construction.



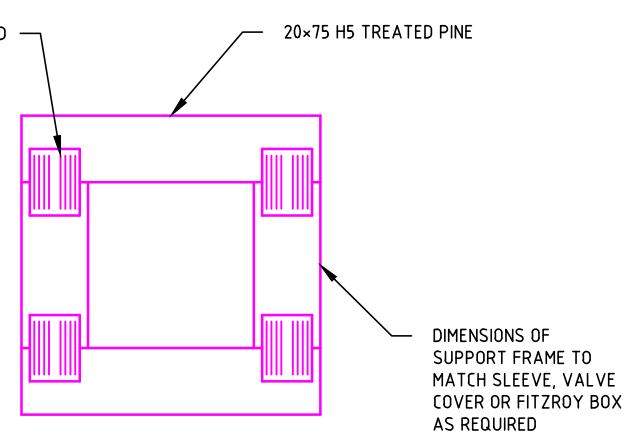
DETAIL C WASHOUT

NOT TO SCALE



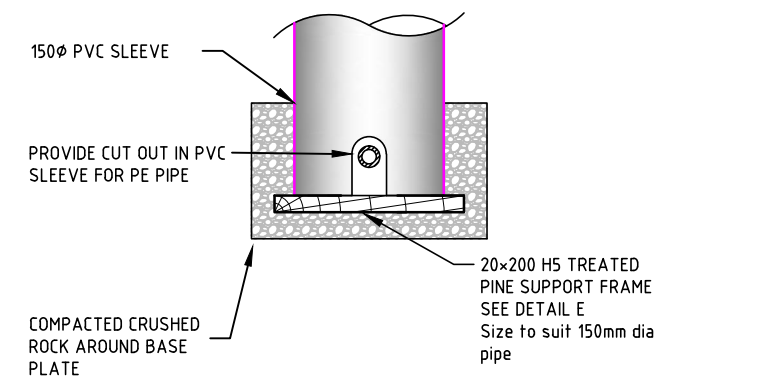
DETAIL D LINK MAIN & ISOLATION DETAILS

NOT TO SCALE



DETAIL E SUPPORT FRAME

NOT TO SCALE



DETAIL D - VIEW A-A

NOT TO SCALE

No.	Revision	Note: * indicates signatures on original issue of drawing or last revision of drawing	Drawn	Checked	Approved	Date
1		Detail C - 25mm Quick release coupling note modified				25/09/2009
2		Footer changed to standard WW format, arrangement modified	R.F.			13/1/2013

No.	Revision	Note: * indicates signatures on original issue of drawing or last revision of drawing	Drawn	Checked	Approved	Date

Consultant's Drawing Reference:		Consultant's Logo and Details	

Wannon Region Water Corporation
PO Box 1158, Warrnambool VIC 3280
Ph. 1300 926 666
Fax. (03) 5564 7650
Email @Wannonwater.com.au
www.wannonwater.com.au

Wannon Water Project No:		Scale (At original paper size): NOT TO SCALE	
Town:		Drawn: K. Watson	Checked: I. Baum
Coordinates: N: E:		Designed: I. Baum/K. Watson	Checked: K. Watson
Projection: Map Grid of Australia: Zone 54		Approved:	
		Date:	

Wannon Water		Drawing Set No:	
Project:	STANDARD DRAWING P.E. Court Bowl/Link Main Arrangement, 100mm to 63 PE Connection Details And Washout Detail	Sheet No:	2
Title:		No. of Sheets:	3
Original Size:	A3		
	NOT TO SCALE		

DRG No: W-363-C
Sheet 2 of 3